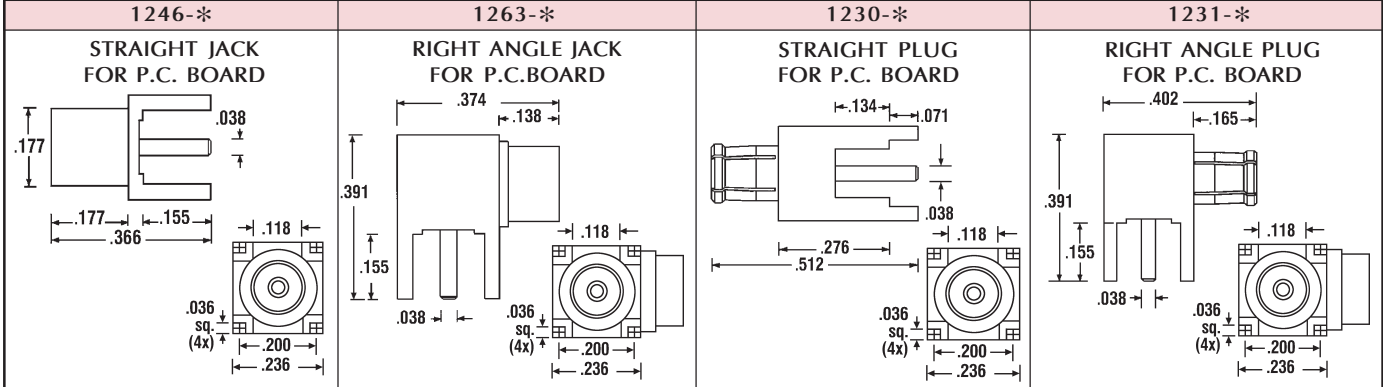
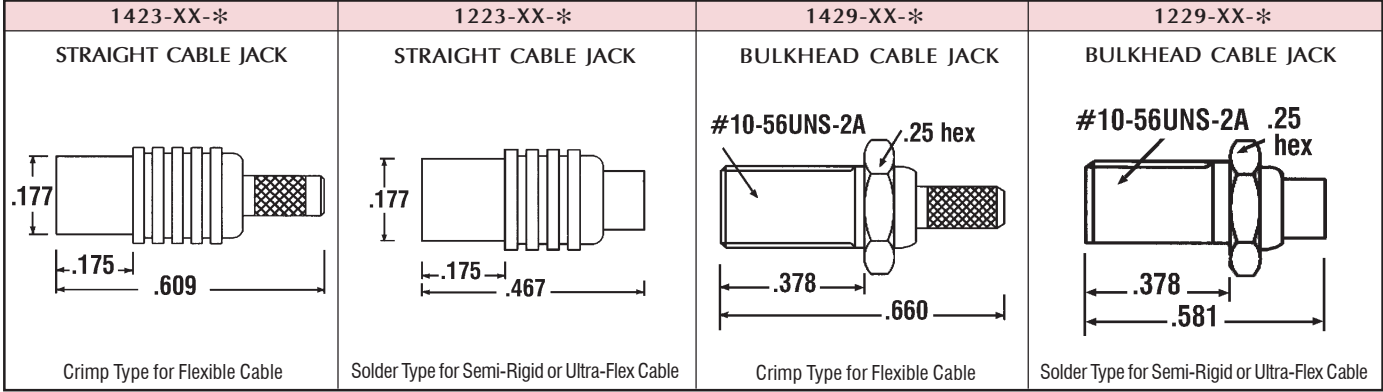
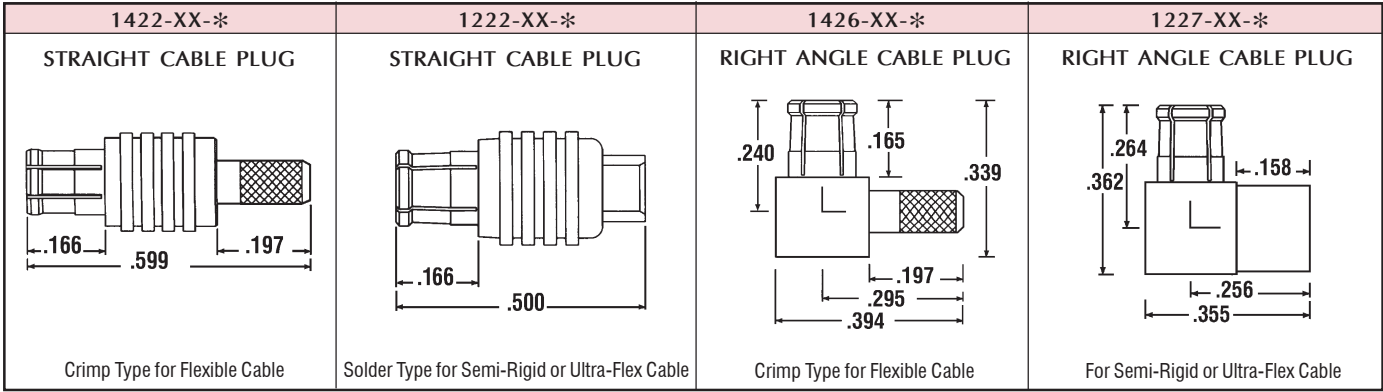
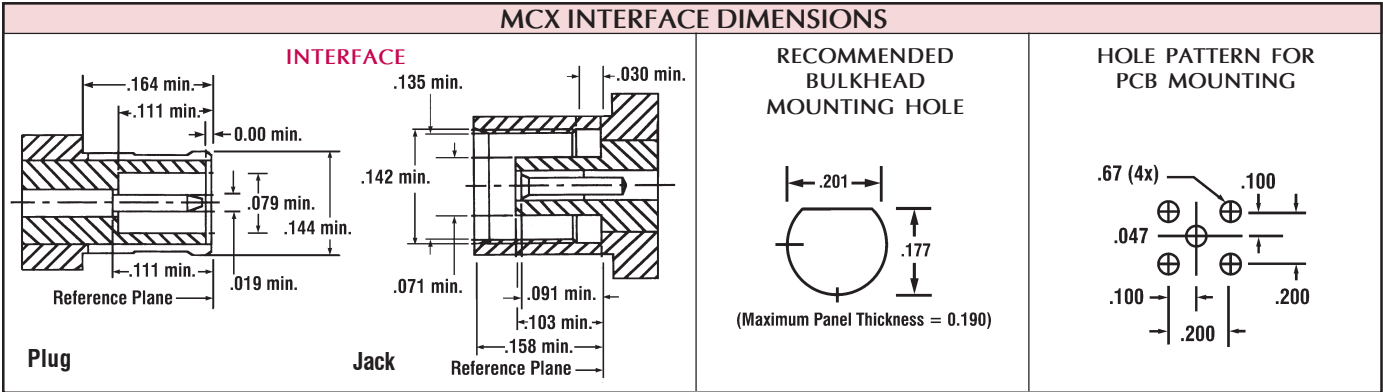


MCX CONNECTORS FOR FLEXIBLE AND SEMI-RIGID CABLE & PRINTED CIRCUIT BOARDS



XX - SEE NOTE ON SPECIFICATION SHEET FOR CABLE GROUPS, MATERIAL, FINISH CODES AND MOUNTING HOLE SIZE;
 * -1 indicates gold plating, -7 indicates nickel plating.