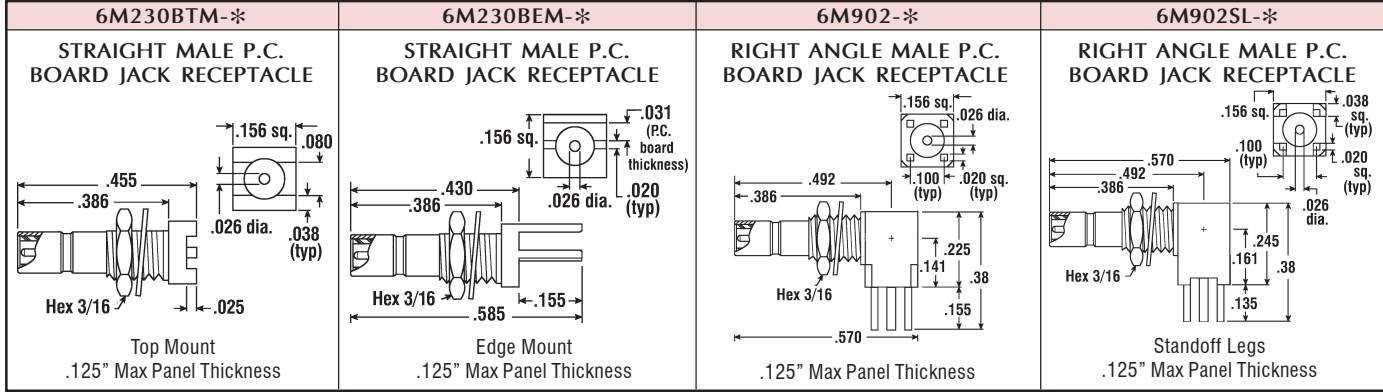
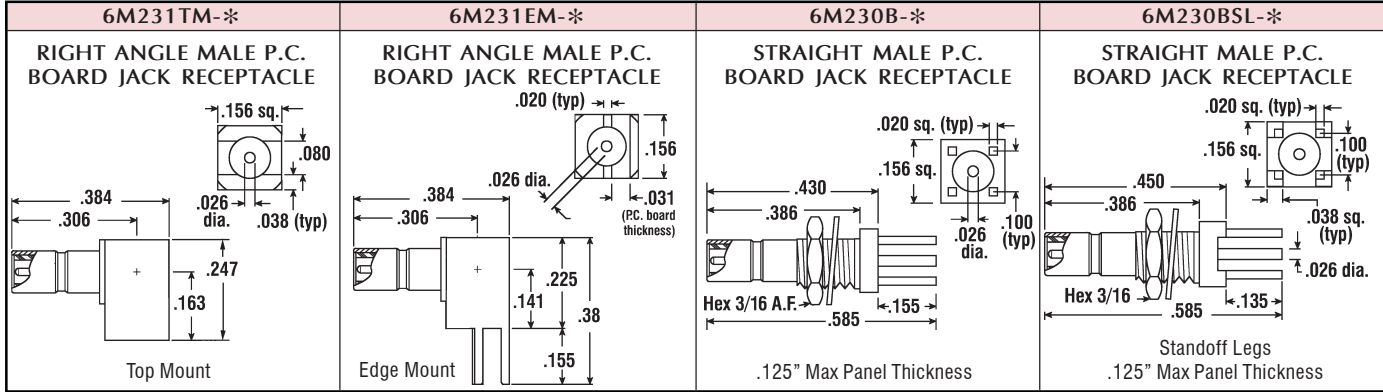
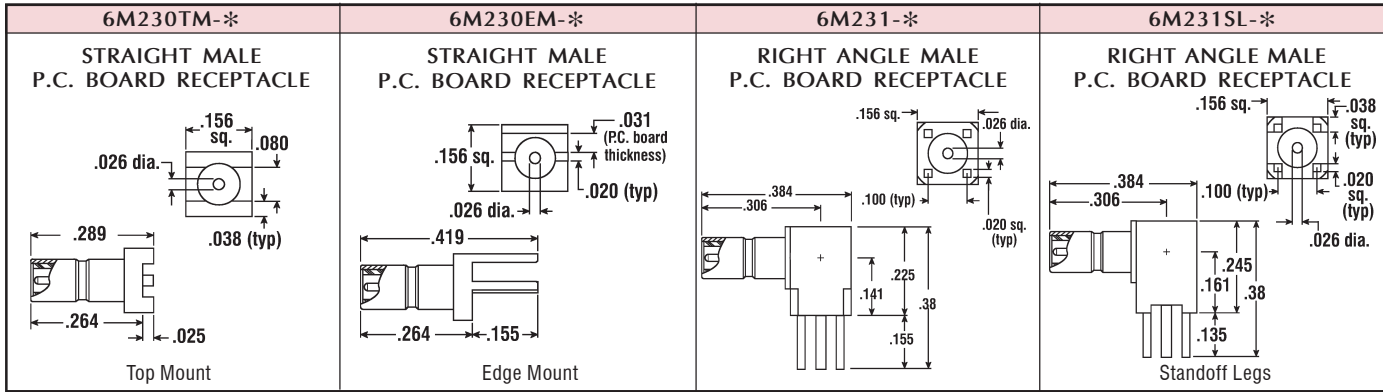
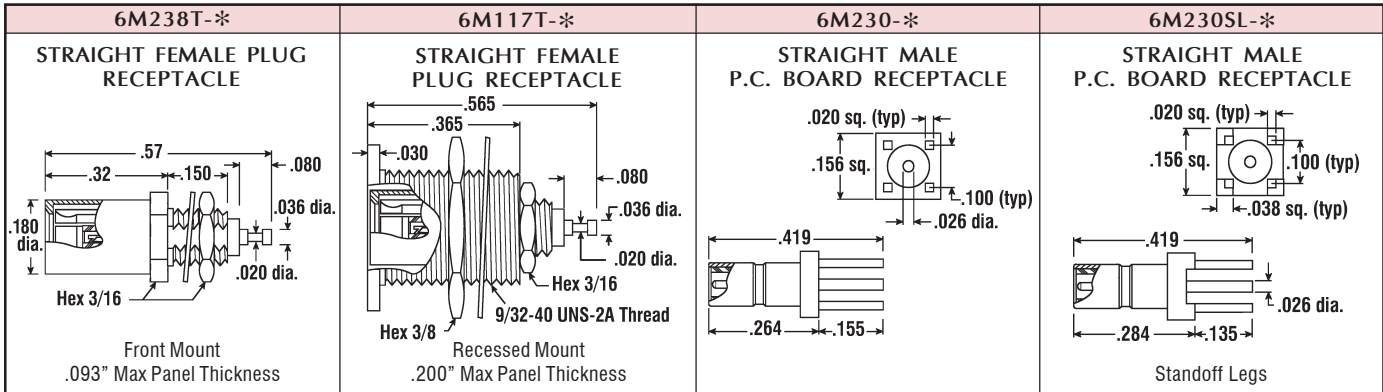


SSMB BULKHEAD MOUNTED & P.C. BOARD RECEPTACLES



XX SEE NOTE ON SPECIFICATION SHEET FOR CABLE GROUPS, MATERIAL, FINISH CODES AND MOUNTING HOLE SIZE
 PRE-TINNED LEGS AND CONTACTS AVAILABLE BY ADDING SUFFIX "P" TO PART NUMBER (i.e., 6230P-1)
 * 1 - indicates gold plating, 7 - indicates nickel