

Surface Mount Voltage Variable Attenuator

EVA-3000+ EVA-3000

50Ω 50 to 3000 MHz

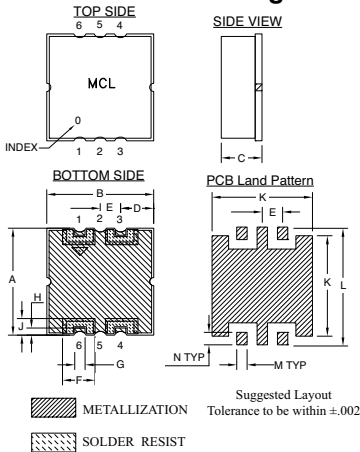
Maximum Ratings

Operating Temperature	-45°C to 85°C
Storage Temperature	-55°C to 100°C
Absolute Max. Supply Voltage(V+)	7V
Absolute Max. Control Voltage(Vctrl)	9V
Absolute Max. RF Input Level	+22 dBm

Pin Connections

RF IN	1
RF OUT	6
V CONTROL	3
V+	4
GROUND	2,5

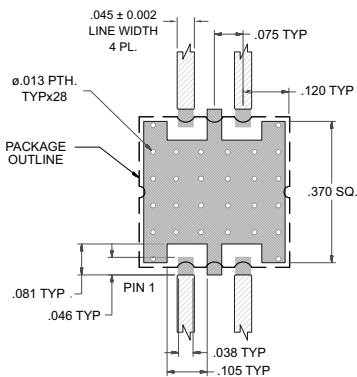
Outline Drawing



Outline Dimensions (inch/mm)

A	B	C	D	E	F	G
.394	.394	.150	.122	.075	.120	.038
10.01	10.01	3.81	3.10	1.90	3.05	0.97
H	J	K	L	M	N	wt.
.026	.061	.370	.434	.038	.046	grams
0.66	1.55	9.40	11.02	0.97	1.17	0.7

Demo Board MCL P/N: TB-335 Suggested PCB Layout (PL-187)



- NOTES:
- TRACE WIDTH IS SHOWN FOR FR4 WITH DIELECTRIC THICKNESS .025" ± .002". COPPER: 1/2 OZ. EACH SIDE. FOR OTHER MATERIALS TRACE WIDTH MAY NEED TO BE MODIFIED.
 - BOTTOM SIDE OF THE PCB IS CONTINUOUS GROUND PLANE.
- DENOTES PCB COPPER LAYOUT WITH SMOBC (SOLDER MASK OVER BARE COPPER)
- DENOTES COPPER LAND PATTERN FREE OF SOLDER MASK

Features

- Frequency range, 50-3000 MHz
- IP3, 45 dBm typ.
- Maximum attenuation at minimum current
- No external bias and RF matching network required
- Small size, shielded case
- Low cost, \$4.99 ea (qty.1K)

Applications

- Variable gain amplifier
- Feed forward amplifiers
- ALC circuits



CASE STYLE: HE1135
PRICE: \$9.95 ea. QTY (10-49)

+ RoHS compliant in accordance
with EU Directive (2002/95/EC)

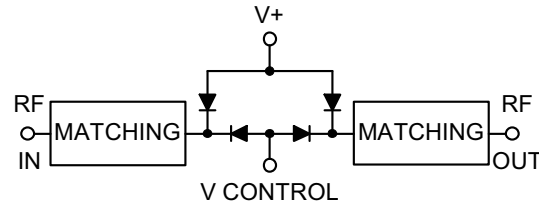
The +Suffix identifies RoHS Compliance. See our web site for RoHS Compliance methodologies and qualifications.

Electrical Specifications (T_{AMB} = 25°C)

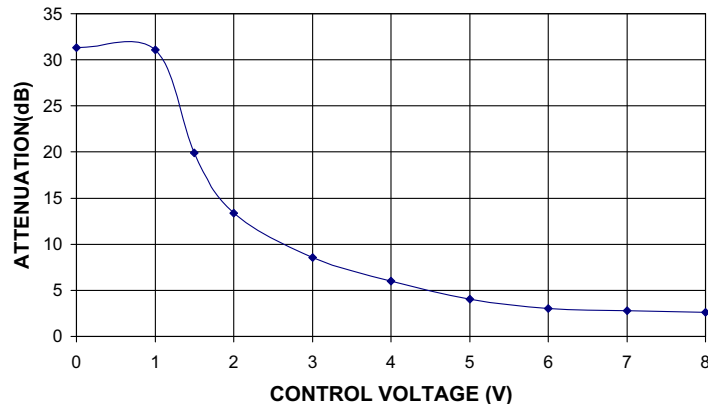
FREQ. (MHz)	MIN. INSERTION LOSS, dB (+8V)		MAX. ATTENUATION dB (0V)		INPUT POWER (dBm)	CONTROL Voltage Current (V) (mA)		IP3 (dBm)	RETURN LOSS (dB)	POWER SUPPLY Voltage Current (V) (mA)	
	Min.	Max.	Typ.	Max.		Max.	Max.			Typ.	Typ.
50 - 1000	2.5	4.0	43	27	+22	0 - 8	40	41	21	+5	5
1000 - 2000	3.0	4.5	29	21	+22	0 - 8	40	45	22	+5	5
2000 - 3000	3.5	5.5	24	17	+22	0 - 8	40	44	18	+5	5

Notes:
Rise/Fall time: 15µSec/36µSec Typ.
Switching Time, turn on/off: 40µSec. Typ.

Equivalent Schematic



EVA-3000 TYPICAL ATTENUATION AT 1500MHz



Mini-Circuits
ISO 9001 ISO 14001 CERTIFIED

ALL NEW
minicircuits.com

P.O. Box 350166, Brooklyn, New York 11235-0003 (718) 934-4500 Fax (718) 332-4661 For detailed performance specs & shopping online see Mini-Circuits web site

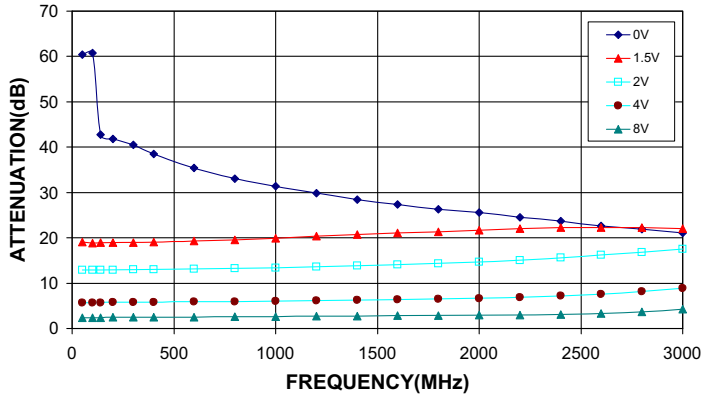


The Design Engineers Search Engine Provides ACTUAL Data Instantly From MINI-CIRCUITS At: www.minicircuits.com

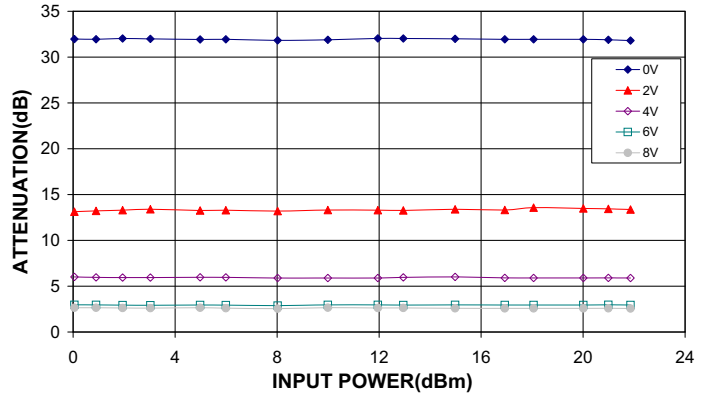
RF/IF MICROWAVE COMPONENTS

REV.B
M98898
EVA-3000
EDR-7165/2
RAV
070328
page 1 of 2

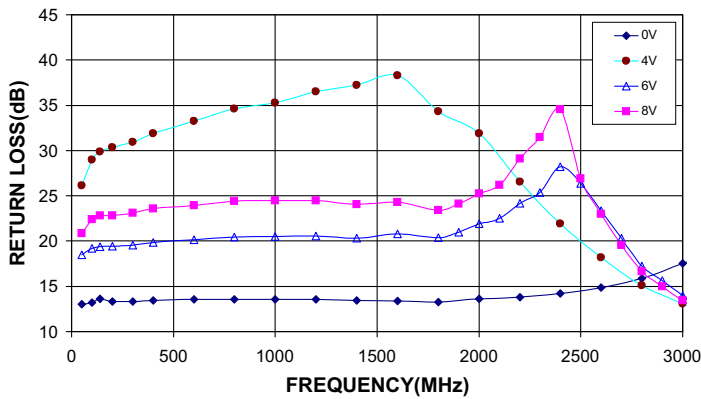
**EVA-3000
ATTENUATION Vs. FREQUENCY
OVER CONTROL VOLTAGES**



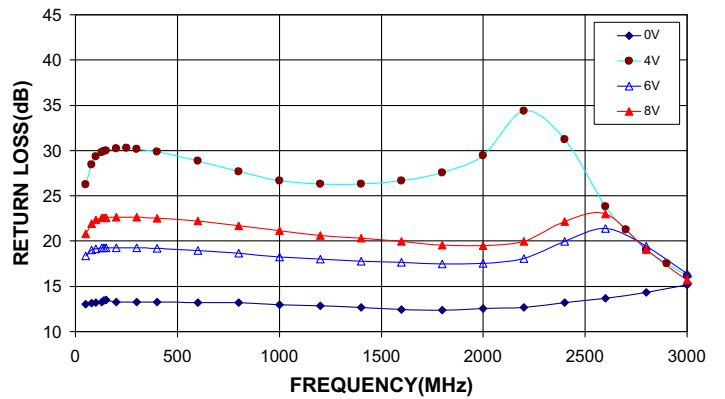
**EVA-3000
ATTENUATION Vs. INPUT POWER
OVER CONTROL VOLTAGES AT 900MHz**



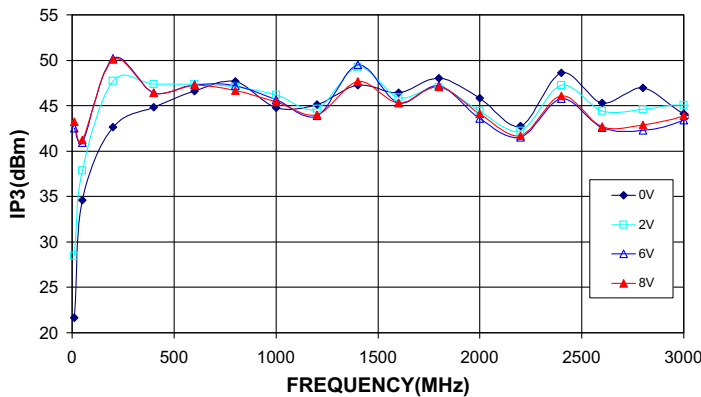
**EVA-3000
INPUT RETURN LOSS Vs. FREQUENCY
OVER CONTROL VOLTAGES**



**EVA-3000
OUTPUT RETURN LOSS Vs. FREQUENCY
OVER CONTROL VOLTAGES**



**EVA-3000
IP3 Vs. FREQUENCY
OVER CONTROL VOLTAGES**



**EVA-3000
PHASE SHIFT Vs. FREQUENCY
OVER CONTROL VOLTAGES**

